

Rail-Mounted Screw-Clamp Terminal Blocks

Specialty Products Catalog KSK 2.0



**ELECTRICAL
INTERCONNECTIONS**



WAGO[®]
INNOVATIVE CONNECTIONS

Contents



Through Terminal Blocks with Screw-Clamp Connection
35 mm²/AWG 2, 70 mm²/AWG 2/0, 95 mm²/AWG 4/0

04 – 05



Ground (Earth) Conductor Terminal Blocks
with Screw-Clamp Connection
35 mm²/AWG 2, 70 mm²/AWG 2/0, 95 mm²/AWG 4/0

06 – 07



Through Terminal Blocks with Screw-Clamp Connection
150 mm²/300 MCM, 240 mm²/500 MCM

08 – 09



Fuse Terminal Blocks with Screw-Clamp Connection
(416 Series)
10 mm²/AWG 8, 25 mm²/AWG 2

10 – 11



System Description: Stud Terminal Blocks

12



High Current Terminal Blocks with Stud Bolts
M6, M8, M10, M12, M13
35 mm²/AWG 2, 70 mm²/AWG 2/0, 120 mm²/250 MCM,
185 mm²/400 MCM, 300 mm²/600 MCM

13 – 15



Position of Drilled Holes for Direct Assembly
and Dimensions when Using Covers

16

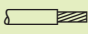
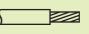
Index of Item Nos.

17

WAGO Worldwide – Companies and Representations –

18 – 19

Through Terminal Blocks with Screw-Clamp Connection

16 – 35 mm² 800 V/8 kV/3 ① 135 A Terminal block width 16 mm / 0.63 in  17 – 19 mm / 0.71 in *	AWG 6 – 2 600 V, 150 A ② 600 V, 160 A ③	16 – 70 mm² 800 V/8 kV/3 ① 207 A Terminal block width 22 mm / 0.866 in  25 – 27 mm / 1.02 in *	AWG 6 – 2/0 600 V, 150 A ③
---	--	--	---


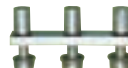


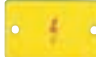

① 800 V = rated voltage
 8 kV = rated surge voltage
 3 = pollution degree
 (see Full Line Catalog W4, Section 15)



Description	Color	Item no.	Pack.-unit	Color	Item no.	Pack.-unit
Through terminal block, with universal mounting foot for DIN 35 and DIN 32 rail	Through terminal blocks			Through terminal blocks		
	gray	415-124	50	gray	415-216	10
	blue	425-124	50	blue	425-216	10
				(clamping screws with hexagon socket screw INB 6)		

Accessories

(Marking and Mounting Accessories see Full Line Catalog W4, Section 14)

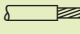
	Plastic end stop 10 mm/0.394 in wide, for DIN 35 rail, for DIN 32 rail					
		249-117	50		249-117	50
		209-102	25		209-102	25
	Assembled jumper bar, only for					
	2-pole	473-621	100			
	35 mm ² terminal blocks 3-pole	473-622	100			
	4-pole	473-623	100			
	5-pole	473-624	100			
	10-pole	473-625	100			
	Jumper bar, only for 70 mm ² or					
	95 mm ² terminal blocks 2-pole				473-316	100
	3-pole				473-317	100
	5-pole				473-318	100
	10-pole				473-319	100
	Jumper bar screw, countersunk				473-320	100
	Washer				473-331	100
	Protective warning marker, with					
	for 3 term. blocks	463-430	100		473-327	100
	high volt. symbol for 4 term. blocks	463-431	100		473-328	100
	Plastic screw, for protective warning marker	473-147	200		473-323	200

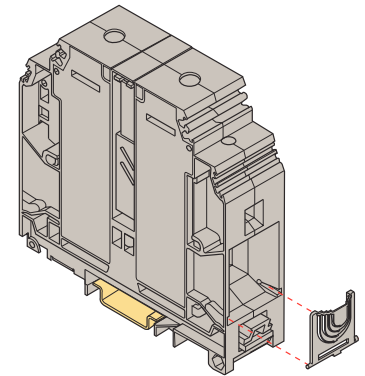
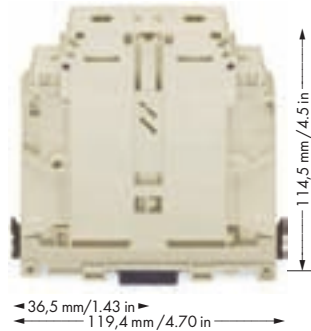
② Dimensional table for terminal block height (in mm)

Heights	Item no.		
	DIN 35 rail, 7.5 mm high	DIN 35 rail, 15 mm high	DIN 32 rail
415-124	54	61.5	59
415-216	75	82.5	80
415-556	80	87.5	85

* Further approvals with corresponding ratings can be found at www.wago.com

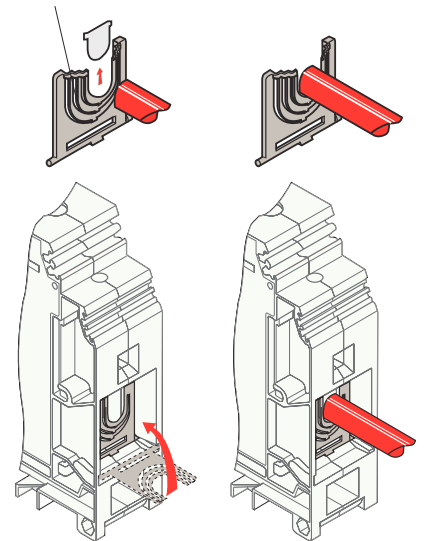
Rail-mounted Terminal Blocks with Screw-Clamp Connection.

	35 – 150 mm² 1000 V/12 kV/3 309 A	AWG 2 – 300 600 V 600 V	Application notes
	Terminal block width 31 mm / 1.22 in  35 mm / 1.26 in		
	*		



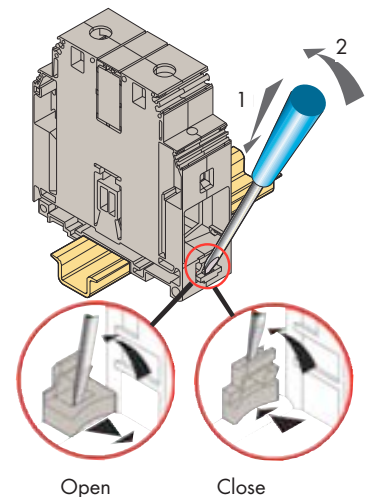
Description	Color	Item no.	Pack.-unit	
Through terminal block,	gray	499-715	5	
with end plate and	blue	499-717	5	
10 mm ² (6 AWG) control cable connection	yellow/green	499-716	5	
Technical Data				
Wire gauge				
		IEC	UL/CSA pending	
Load circuit				
solid		25-185 mm ²	4 AWG-350 MCM	
flexible		35-150 mm ²	2 AWG-300 MCM	
Control cable output				
solid		0.5-16 mm ²		
flexible		0.5-10 mm ²	18-6 AWG	
Voltage				
Nominal Voltage		1000 V	600 V	
Electric strength		12 kV		
Degree of pollution		3		
Rated current				
Load circuit		309 A	445 A	
Control cable output		57 A	70 A	
Rated cross section				
Load circuit		150 mm ² / B14	300 MCM	
Control cable output		10 mm ² / B14	6 AWG	
	Strip length	Tool	Tightening torque	Protection class
Load circuit	35 mm / 1.37"	8 mm Allen wrench / 0.31"	10-30 Nm / 88.5-260 lb.in	IP 20
Control cable output	12 mm / 0.47"	Screwdriver / Ø 4 mm	1.2-1.4 Nm / 10.6-12.3 lb.n	




Adjust the cut-out to the cable diameter.



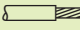
Operation of the fixing system using a Ø 4 mm screwdriver

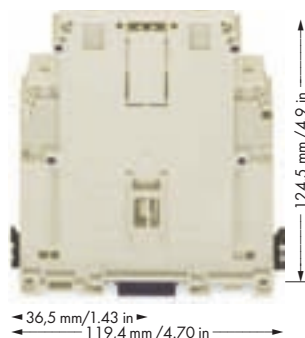
Bistable mounting foot locks in open or closed position.





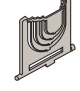
Accessories		Appropriate marker system: WMB (see Full Line Catalog W4, Volume 1, Section 14)		
	Screwless end stop	10 mm/0.394 in wide	249-117	50 (2x25)
	Assembled jumper bar	2-way	406-053	
		3-way	406-054	
	Protective cover IP20		499-788	

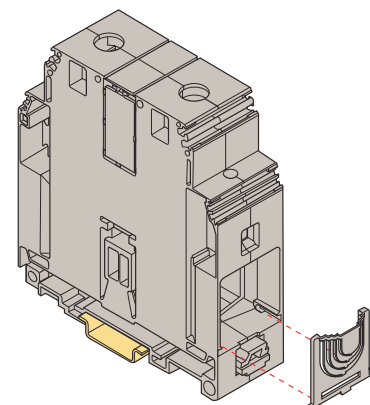
* Further approvals with corresponding ratings can be found at www.wago.com

	35 – 240 mm² 1000 V/8 kV/3 415 A Terminal block width 36 mm / 1.41 in  35 mm / 1.26 in *	AWG 2 – 500 600 V 600 V	Application notes
--	--	--	--------------------------

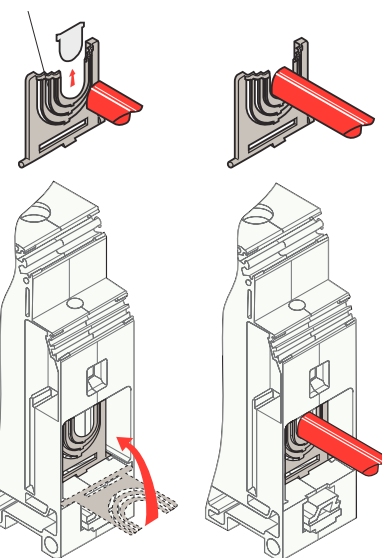


Description	Color	Item no.	Pack.-unit	
Through terminal block,	gray	499-704	5	
with end plate and	blue	499-706	5	
10 mm ² (6 AWG) control cable connection	yellow/green	499-705	5	
Technical Data				
Wire gauge				
		IEC	UL/CSA pending	
Load circuit				
solid		50-300 mm ²	0 AWG-600 MCM	
flexible		35-240 mm ²	2 AWG-500 MCM	
Control cable output				
solid		0.5-16 mm ²		
flexible		0.5-10 mm ²	18-6 AWG	
Voltage				
Nominal Voltage		1000 V	600 V	
Electric strength		8 kV		
Degree of pollution		3		
Rated current				
Load circuit		415 A	400 A	
Control cable output		57 A	70 A	
Rated cross section				
Load circuit		1240 mm ² / B14	500 MCM	
Control cable output		10 mm ² / B14	6 AWG	
	Strip length	Tool	Tightening torque	Protection class
Load circuit	35 mm 1.37"	8 mm Allen wrench 0.39"	14-30 Nm 124-260 lb.in	IP 20
Control cable output	12 mm 0.47"	Screwdriver Ø 4 mm	1.2-1.4 Nm 10.6-12.3 lb.n	

Accessories		Appropriate marker system: WMB (see Full Line Catalog W4, Volume 1, Section 14)	
	Screwless end stop	10 mm/0.394 in wide	249-117 50 (2x25)
	Assembled jumper bar	2-way	406-126
		3-way	406-223
	Protective cover IP20		499-787

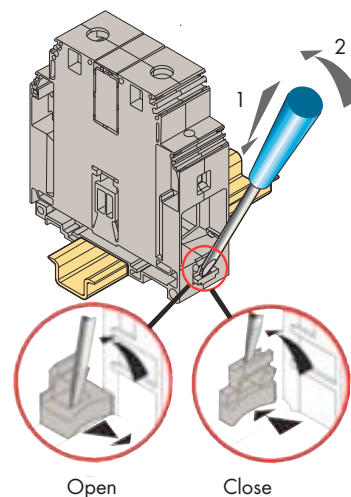


Adjust the cut-out to the cable diameter.





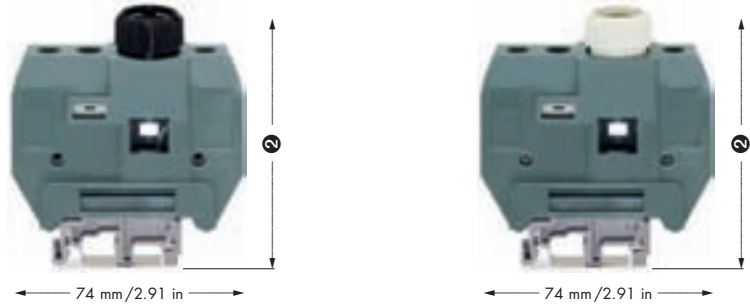
Operation of the fixing system using a Ø 4 mm screwdriver

Bistable mounting foot locks in open or closed position.



Fuse Terminal Blocks with Screw-Clamp Connection


<p>0.2 – 10 mm² 800 V/8 kV/3 ① 16 A</p> <p>Terminal block width 24 mm / 0.945 in  13 mm / 0.51 in</p> <p>*</p>	<p>AWG 24 – 8 600 V, 35 A ② 300 V, 15 A ③</p>	<p>0.2 – 10 mm² 800 V/8 kV/3 ① 32 A</p> <p>Terminal block width 24 mm / 0.945 in  13 mm / 0.51 in</p> <p>*</p>	<p>AWG 24 – 8 600 V, 35 A ② 300/600 V, 15/30 A ③</p>
---	---	---	--



① 800 V = rated voltage
 8 kV = rated surge voltage
 3 = pollution degree
 (see Full Line Catalog W4, Section 15)
 The electrical data are given by the fuse.

Description	Item no.	Pack.-unit	Item no.	Pack.-unit
Fuse terminal block, with universal mounting foot for DIN 35 and DIN 32 rails	Fuse terminal block, for cartridges with indicator D 01 (Neozed), 380 V		Fuse terminal block, for cartridges without indicator 10.3 x 38, 500 V	
	416-298	25	416-299	25

Accessories (Marking and Mounting Accessories see Full Line Catalog W4, Section 14)

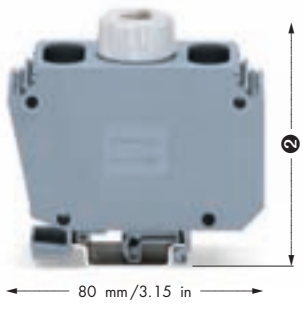
Accessories	Item no.	Pack.-unit	Item no.	Pack.-unit
 Plastic end stop 10 mm/0.394 in wide, for DIN 35 rail, for DIN 32 rail	249-117	50	249-117	50
	209-102	25	209-102	25

② Dimensional table for terminal block height (in mm)

Item no.	Height (in mm)		
	DIN 35 rail, 7.5 mm high	DIN 35 rail, 15 mm high	DIN 32 rail
416-298	80.5	86.5	85.5
416-299	80.5	86.5	85.5
416-305	79	86.5	84

* Further approvals with corresponding ratings can be found at www.wago.com

<p>6 – 25 mm² 400 V/6 kV/3 ① 63 A ①</p> <p>Terminal block width 27 mm / 1.063 in  12 mm / 0.47 in</p>	AWG 10 – 2		
--	------------	--	--



Item no.	Pack.-unit		
Fuse terminal block,			
For cartridges with indicator			
D 02 (Neozed), 380 V			
416-305	10		
249-117	50		
209-102	25		

System Description: Stud Terminal Blocks

Protective cover, IP20



Protection against accidental contact is achieved via protective covers. Two covers must be used on each terminal block

Marking



Center marking of the terminal block via WMB markers

Control cable connection



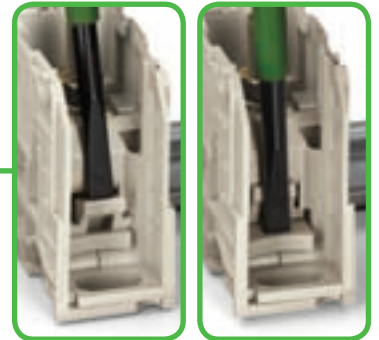
Control cable connection for flat tab 6.3 x 0.8 and screw connection

Jumper bar



Jumper bars are available in 2-way and 3-way versions

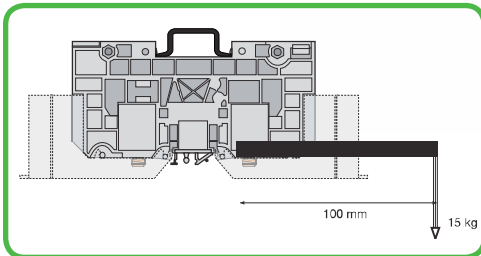
DIN 35 rail mounting



Assembly

Removal

Rail mounting



Rail mounting for highest stability

Terminal strips



Stud terminal blocks can be assembled to terminal strips via threaded rod and nut M3.
Easy connection via connecting tips

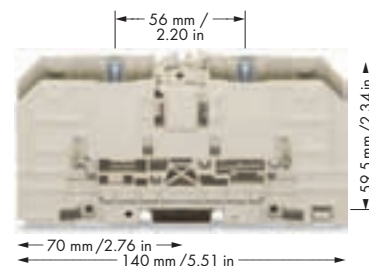
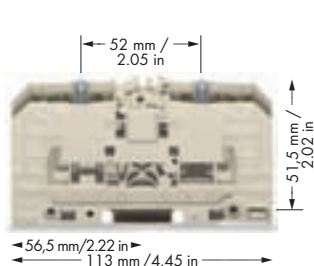
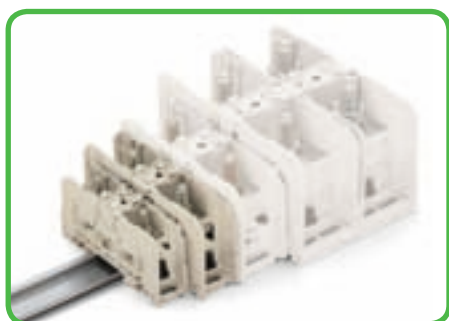
Direct assembly



Slot for direct assembly.
See also page 16

High Current Terminal Blocks with Stud Bolts M6 and M8

2.5 — 35 mm² 1000 V/8 kV/3 125 A Terminal block width 27 mm / 1.7 in *	AWG 10 - 1 600 V 600 V	6 — 70 mm² 1000 V/8 kV/3 192 A Terminal block width 32 mm / 1.26 in *	AWG 10 - 3 / 0 600 V 600 V
--	---	---	---



Description	Color	Item no.	Pack.-unit	Color	Item no.	Pack.-unit
High current terminal blocks, with 2 stud bolts M6 and M8,				High current terminal block, with 2 stud bolts M6		
with bistable foot for DIN 35 rail	gray	490-001	10	gray	490-002	10
DIN 35 rail x 7.5 x 1						
DIN 35 rail x 15 x 1.5						
DIN 35 rail x 15 x 2.3						
Technical Data						
Wire gauge				Wire gauge		
		IEC			UL/CSA	
		NFC*	DIN**		NFC*	DIN**
		mm ²	mm ²		mm ²	mm ²
stranded		2.5-35	2.5-35	stranded	6-95	6-70
flexible		2.5-35		flexible	6-70	
Voltage				Voltage		
Nominal Voltage		1000 V	600 V	Nominal Voltage	1000 V	600 V
Electric strength		8 kV		Electric strength	8 kV	
Degree of pollution		3		Degree of pollution	3	
Current				Current		
Nominal current		125 A	125 A	Nominal current	192 A	170 A
Cross section				Cross section		
Nominal cross section		35 mm ²	max. AWG 1	Nominal cross section	70 mm ²	AWG 3/0 max.
		Cable lug			Cable lug	
Width across flats		10 mm		Width across flats	13 mm	
Tightening torque		3 Nm 26.1 lb. in		Tightening torque	6 Nm 52 lb. in	
		Jumper bar screw			Jumper bar screw	
Width across flats		6 mm allen-key head		Width across flats	6 mm allen-key head	
Tightening torque		6 Nm 52 lb. in		Tightening torque	6 Nm 52 lb. in	

Accessories

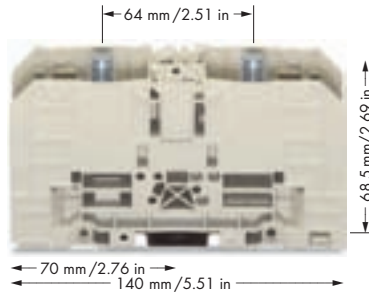
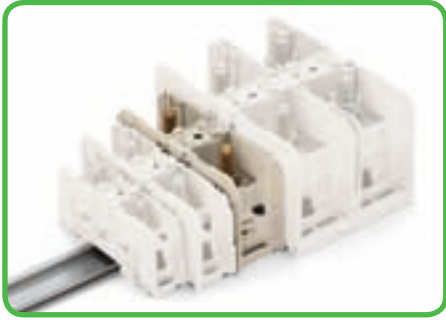
Appropriate marker system: WMB (see Full Line Catalog W4, Volume 1, Section 14)

	Screwless end stop	10 mm/0.394 in wide	249-117	50 (2x25)	10 mm/0.394 in wide	249-117	50 (2x25)
	Protective cover, IP20		490-016	1		490-017	1
	Jumper bar with screws	2-way	405-772		2-way	405-774	
		3-way	405-773		3-way	405-775	
	Control cable connection with screws for flat tabs	6.35 x 0.8 mm	405-767			405-768	

* Further approvals with corresponding ratings can be found at www.wago.com

High Current Terminal Block with 2 Stud Bolts M10

	6 – 120 mm² 1000 V/8 kV/3 269 A Terminal block width 42 mm / 1.65 in *	AWG 10-300 MCM 600 V 600 V
--	--	---



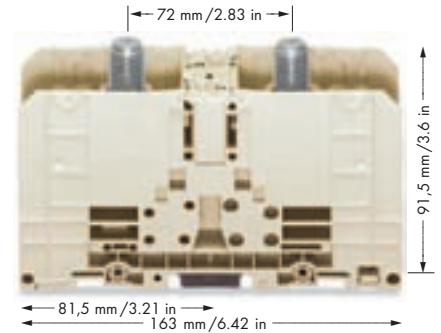
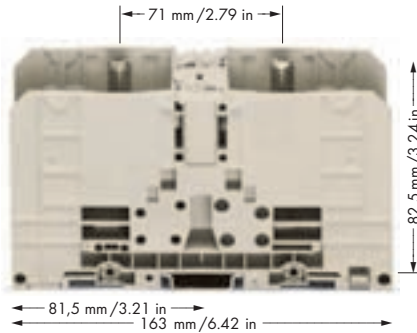
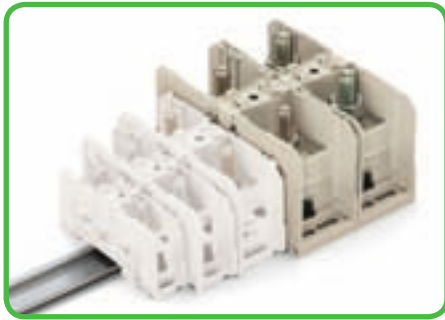
Description	Color	Item no.	Pack.-unit
High current terminal block, with 2 stud bolts M10,	High current terminal block, with 2 stud bolts M10		
with bistable foot for DIN 35 rail DIN 35 rail x 7.5 x 1 DIN 35 rail x 15 x 1.5 DIN 35 rail x 15 x 2.3	gray	490-003	10
Technical Data			
Wire gauge			
		IEC	UL/CSA
		NFC* DIN**	
		mm ² mm ²	
stranded		6-150	6-120
flexible		6-120	max. 300 MCM
			max. 300 MCM
Voltage			
Nominal Voltage		1000 V	600 V
Electric strength		8 kV	
Degree of pollution		3	
Current			
Rated current		269 A	269 A
Cross section			
Nominal cross section		120 mm ²	max. 300 MCM
		Cable lug	
Nominal across flats		17 mm	
Tightening torque		10-20 Nm 87-174 lb. in	
		Jumper bar screw	
* NFC 20130	Width across flats	6 mm allen-key head	
** DIN46234	Tightening torque	6-12 Nm 52-104 lb. in	

Accessories		Appropriate marker system: WMB (see Full Line Catalog W4, Volume 1, Section 14)	
	Screwless end stop	10 mm/0.394 in wide	249-117 50 (2x25)
	Protective cover, IP20		490-018 1
	Jumper bar with screws	2-way	405-776
		3-way	405-777
	Control cable connection with screws		405-769
	for flat tabs		
	6.35 x 0.8 mm		

* Further approvals with corresponding ratings can be found at www.wago.com

High Current Terminal Blocks with Stud Bolts M12 and M16

6 – 185 mm² 1000 V/8 kV/3 353 A Terminal block width 55 mm / 2.16 in *	AWG 10-500 MCM 600 V 600 V	6 – 300 mm² 1000 V/8 kV/3 520 A Terminal block width 55 mm / 2.16 in *	AWG 10-1000 MCM 600 V 600 V
--	---	--	--



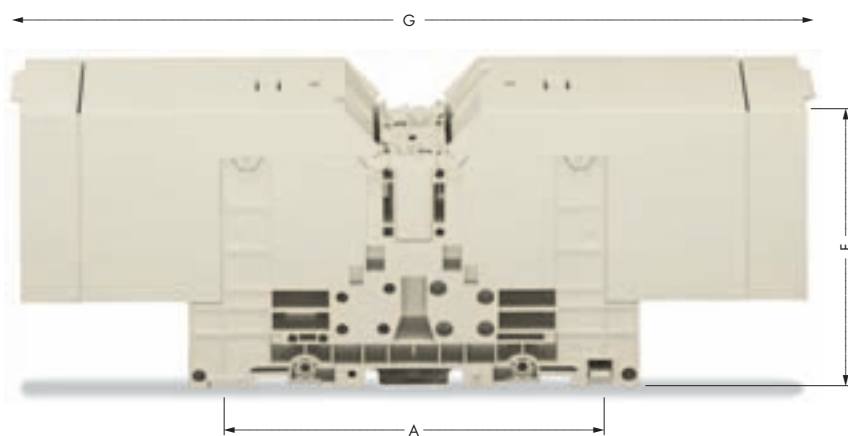
Description	Color	Item no.	Pack.-unit	Color	Item no.	Pack.-unit		
High current terminal blocks, with 2 stud bolts M12 and M16,				High current terminal block, with 2 stud bolts M12				
with bistable foot for DIN 35 rail	gray	490-004	10	gray	490-005	10		
DIN 35 rail x 7.5 x 1								
DIN 35 rail x 15 x 1.5								
DIN 35 rail x 15 x 2.3								
Technical Data								
Wire gauge			IEC	UL/CSA	Wire gauge			
		NFC*	DIN**		NFC*	DIN**		
		mm ²	mm ²		mm ²	mm ²		
stranded		25-240	6-185	max. 500 MCM	stranded	25-300	6-300	max. 1000 MCM
flexible		6-185		max. 500 MCM	flexible	6-300		max. 1000 MCM
Voltage					Voltage			
Nominal Voltage		1000 V		600 V	Nominal Voltage	1000 V		600 V
Electric strength		8 kV			Electric strength	8 kV		
Degree of pollution		3			Degree of pollution	3		
Current					Current			
Rated current		353 A		353 A	Rated current	520 A		460 A
Cross section					Cross section			
Nominal cross section		185 mm ²		max. 500 MCM	Nominal cross section	300 mm ²		max. 1000 MCM
		Cable lug				Cable lug		
Nominal across flats		19 mm			Nominal across flats	24 mm		
Tightening torque		14-30 Nm 121-261 lb. in			Tightening torque	25-50 Nm 217-435 lb. in		
		Jumper bar screw				Jumper bar screw		
Width across flats		6 mm allen-key head			Width across flats	6 mm allen-key head		
Tightening torque		6-12 Nm 52-104 lb. in			Tightening torque	6-12 Nm 52-104 lb. in		

Accessories

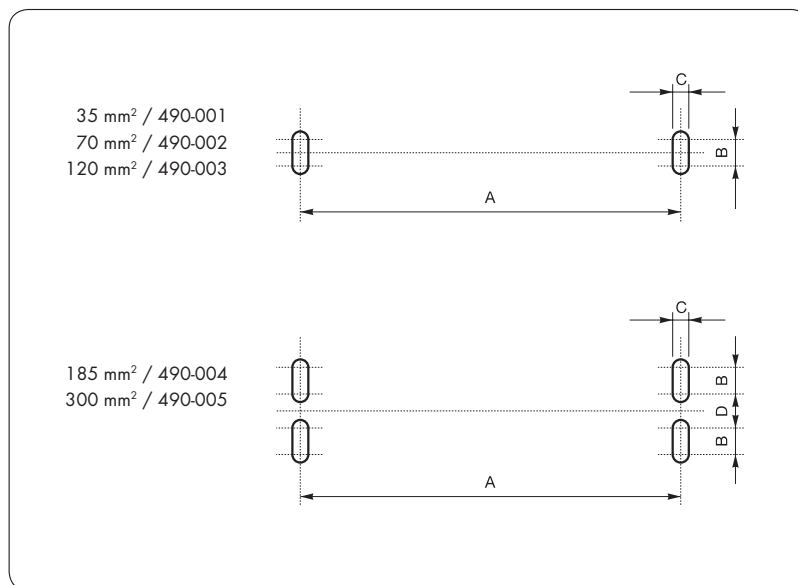
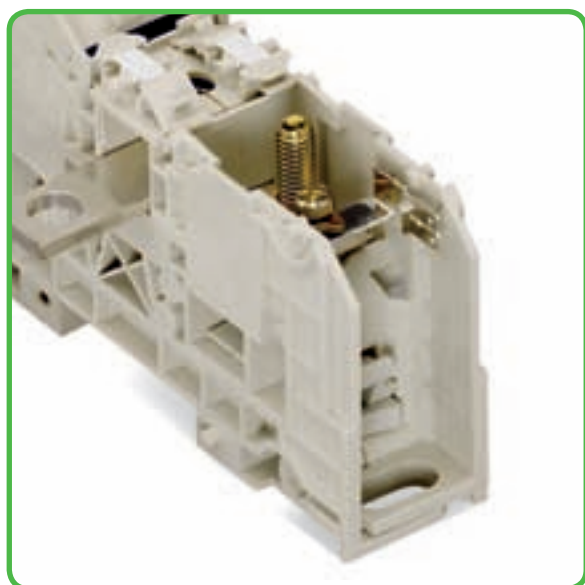
Appropriate marker system : WMB (see Full Line Catalog W4, Volume 1, Section 14)

	Screwless end stop	10 mm/0.394 in wide	249-117	50 (2x25)	10 mm/0.394 in wide	249-117	50 (2x25)
	Protective cover, IP20		490-019	1		490-019	1
	Jumper bar with screws	2-way	405-778		2-way	405-778	
		3-way	405-779		3-way	405-779	
	Control cable connection with screws for flat tabs	6.35 x 0.8 mm	405-770			405-771	

Position of Drilled Holes for Direct Assembly and Dimensions when Using Covers



Type	Mounting	A	B	C	D	F	G
35 mm ² / 490-001	2 screws	100.5	7.5	6.5	/	63.5	160
70 mm ² / 490-002	2 screws	120	7.5	6.5	/	72.5	190.5
120 mm ² / 490-003	2 screws	120	7.5	6.5	/	83.5	255.5
185 mm ² / 490-004	4 screws	135	13.5	6.5	8.5	103.5	295
300 mm ² / 490-005	4 screws	135	13.5	6.5	8.5	105	295



Item Number Index

Item no.	Page	Item no.	Page	Item no.	Page	Item no.	Page
209 Series		465 Series					
209-102	4	465-111	6				
		465-575	6				
249 Series		473 Series					
249-117	4	473-147	4				
405 Series		473-316	4				
405-767	13	473-317	4				
405-768	13	473-318	4				
405-769	14	473-319	4				
405-770	15	473-320	4				
405-771	15	473-323	4				
405-772	13	473-327	4				
405-773	13	473-328	4				
405-774	13	473-331	4				
405-775	13						
405-776	14	473-621	4				
405-777	14	473-622	4				
405-778	15	473-623	4				
405-779	15	473-624	4				
		473-625	4				
406 Series		477 Series					
406-053	8	477-508	5				
406-054	8	477-509	5				
406-126	9	477-510	5				
		477-511	5				
406-223	9						
415 Series		490 Series					
415-124	4	490-001	13				
		490-002	13				
415-216	4	490-003	14				
		490-004	15				
415-556	5	490-005	15				
		490-016	13				
416 Series		490-017	13				
416-298	10	490-018	14				
416-299	10	490-019	15				
		490-020	15				
416-305	11	499 Series					
		499-024	7				
418 Series		499-176	7				
418-233	4	499-704	9				
		499-705	9				
425 Series		499-706	9				
425-124	4	499-715	8				
		499-716	8				
425-216	4	499-717	8				
		499-787	9				
425-556	5	499-788	8				
428 Series							
428-233	4						
463 Series							
463-430	4						
463-431	4						

Argentina

Bruno Schillig S.A.
Arenales 4030, B1604CFD
Florida, PBA
Phone +54 11 4730 1100
Fax +54 11 4761 2744
robertor@schillig.com.ar

Australia

NHP ELECTRICAL ENGINEERING
PRODUCTS PTY LTD
43-67 River Street
Richmond, Victoria, 3121
P.O. Box 199
Phone +61 3 9429 2999
Fax +61 3 9429 1075
export@wago.com

Austria

WAGO Kontakttechnik Ges.m.b.H.
Laxenburger Straße 244
1230 Wien
Phone +43 1 6150780
Fax +43 1 6150775
info.at@wago.com

Belgium

WAGO Kontakttechnik
Excelsiorlaan 11
1930 Zaventem
Phone +32 2 7179090
Fax +32 2 7179099
info-be@wago.com

Bosnia and Herzegovina

WAGO Kontakttechnik GmbH & Co. KG
Representative Office Sofia Bulgaria
Twardischiki Prohod 21, ap.5
1404 Sofia
Phone +359 2 489 46 10
Fax +359 2 859 21 31
info-BG@wago.com

SC_Technik doo

Kadić Mahala 47
Bosnia-Herzegovina
Phone +387 35 821815
Fax +387 35 821816
sc_technik@yahoo.de

Brazil

WAGO Eletroeletrônicos Ltda
Rua Américo Simões 1470
São Roque da Chave
Itupeva SP Brasil 13295-000
Phone +55 11 4591 0199
Fax +55 11 4591 0190
info.br@wago.com

Bulgaria

WAGO Kontakttechnik GmbH & Co. KG
Representative Office Sofia Bulgaria
Twardischiki Prohod 21, ap.5
1404 Sofia
Phone +359 2 489 46 10
Fax +359 2 859 21 31
info-BG@wago.com

RIM Project Ltd.

Probuda - 12 A str., et. 7
Sofia
Bulgaria
Phone +359 2 9310666
Fax +359 2 9313839
office@rim-bg.com

Canada

please contact WAGO USA

Chile

Desimat Chile
Av Puerto Vespuccio 9670
Pudahuel Santiago
Phone +56 2 7470152
Fax +56 2 7470153
ventaschile@desimat.cl

China

WAGO ELECTRONIC (TIANJIN) Co. LTD
No.5, Quan Hui Road
Wuqing Development Area
Tianjin 301700
Phone +86 22 59617688
Fax +86 22 59617668
info-cn@wago.com

Columbia

T.H.L. Ltda.
Cra. 49 B # 91-33
Bogotá
Phone +57 1 621 85 50
Fax +57 1 621 60 28
ventas@thl.com

Croatia

M.B.A. d.o.o. za trgovinu i zastupanje
Frana Supila 5
51211 Matulji HR
Phone +00385 51 275-736
Fax +00385 51 275-066
mba@ri.hinet.hr

Czech Republic

WAGO Elektro spol. sr. o.
Rozvodova 1116/36
143 00 Praha 4 - Modřany
Phone +420 261 090 143
Fax +420 261 090 144
info.cz@wago.com

Denmark

WAGO Danmark
Filial of WAGO Kontakttechnik GmbH & Co. KG
Lejrvej 29
3500 Værløse
Phone +45 44 357777
Fax +45 44 357787
salg.dk@wago.com

Ecuador

INSETEC CIA. LTDA.
El Zurrigo 177 y El Vengador
P.O. Box 17-16-016
Quito
Phone +593 2 2 26 91 48
Fax +593 2 2 46 18 33
g.castro@insetec.com.ec

Egypt

IBN Engineering Instrumentation & Control
71 a El Shaheed Ahmed Hamdi St.
King Faisal, Giza
Phone +20 2 7214350
Fax +20 2 7221709
sales@ibnengineering.com

Estonia

Eltarko OÜ
Laki 14 - 502
10621 Tallinn
Phone +372 651 7731
Fax +372 651 7786
andres@eltarko.ee

Finland

WAGO Kontakttechnik GmbH & Co. KG
Filial i Finland
Vellamonkatu 30 B
00550 Helsinki
Phone +358 9 7744 060
Fax +358 9 7744 0660
export@wago.com

France

WAGO CONTACT S.A.
Paris Nord 2
83 Rue des Chardonnerets
B.P. 55065 - Tremblay en France
95947 - ROISSY CDG CEDEX
Phone +33 1 48172590
Fax +33 1 48632520
info-fr@wago.com

Germany

WAGO Kontakttechnik GmbH & Co. KG
Postfach 28 80 32385 Minden
Hansastrasse 27
32423 Minden
Phone +49 571 887-0
Fax +49 571 887-169
info@wago.com

Great Britain

WAGO Limited
Triton Park, Swift Valley Industrial Estate
RUGBY
Warwickshire, CV21 1SG
Phone +44 1788 568008
Fax +44 1788 568050
uksales@wago.com

Greece

PANAGIOTIS SP. DIMOULAS - BIOMAT
Kritis Str. 26
10439 Aithen
Phone +30 210 883 3337
Fax +30 210 883 4436
export@wago.com

Hong Kong

National Concord Eng., Ltd.
Unit A-B, 5/F.
Southeast Industrial Building
611-619 Castle Peak Road
Tsuen Wan, N.T.
Phone +852 24292611
Fax +852 24292164
sales@nce.com.hk

Hungary

WAGO Hungária KFT
Ipari Park, Győr u. 2
2040 Budapest
Phone +36 23 502-170
Fax +36 23 502-166
info@wago.hu

Iceland

S. Gudjonsson ehf.
Audbrekku 9-11
202 Kopavogur
Phone +354 520-4500
Fax +354 520-4501
export@wago.com

India

WAGO & CONTROLS (INDIA) LTD.
C-27, Sector-58, Phase-III
Noida-201 301
Gautam Budh Nagar (U.P.)
Phone +91 120 2 580409 10
Fax +91 120 2 580081
info@wagoindia.com

Indonesia

please contact WAGO Singapore

Iran

Patsa Industry
No. 2 Bahar St.
South Shiraz Ave
P.O. Box.: 15875-1698
14369 Tehran
Phone +98 21 8726869
Fax +98 21 8719666
export@wago.com

Ireland

Drives & Controls
Unit F4, Riverview Business Park
Nangor Road
Dublin 12
Phone +353 1 4604474
Fax +353 1 4604507
wago@drivesandcontrols.ie

Israel

Comtel Israel Electronic Solutions Ltd.
Bet Hapaamon
20 Hataas Street
P.O.Box 66
44425 Kefar-Saba
Phone +972 9 76 77 240
Fax +972 9 76 77 243
sales@comtel.co.il

Italy

WAGO ELETTRONICA SRL
Via Vittoria, 5/b
40068 San Lazzaro di Savena (BO)
Phone +39 051 6272170
Fax +39 051 6272174
info-ita@wago.com

Japan

WAGO Co. of JAPAN Ltd.
Nittetsu ND-Tower Building 4F
Kameido 1-5-7
Koto-Ku
Tokyo 136-0071
Phone +81 3 5627 2050
Fax +81 3 5627 2055
info-jp@wago.com

Korea

Mahani Electric Co. Ltd.
792-7 Yeoksam-Dong
Kangnam-Gu, 135-080
Seoul, Korea
Phone +82 2 2194 3300
Fax +82 2 2194 3397
export@wago.com

Kosovo

please contact WAGO Bulgaria

Kuwait

Kuwait Controls Company
Al Saur Street, Above Luffhansa Airline
Safat Kuwait 13062
Phone +965 822 522
Fax +965 243 3698

Latvia

INSTABALT LATVIA SIA
Vestienas iela 6
Rīga, LV-1035
Phone +371 790 1188
Fax +371 790 1180
info@instabalt.lv

Lebanon

G.T.C.
Antonie Project – Block G
P.O.BOX 70-1096 Antelias
Lebanon
Phone +961 4 521 029
Fax +961 4 521 029
rgemayel@inco.com.lb

Lithuania

INSTABALT LIT UAB
Savanorių 187
Vilnius, 2053
Phone +370 52 322 295
Fax +370 52 322 247
info@instabalt.lt

Luxembourg

please contact WAGO Belgium

Macedonia

please contact WAGO Bulgaria

Malaysia

WAGO Representative Office Malaysia
No 806, Block A4, Leisure Commerce Square,
No 9, Jalan PJS 8/9, 46150 Petaling Jaya,
Selangor Darul Ehsan, Malaysia
Phone +60 3 7877 1776
Fax +60 3 7877 2776
kian.guan.tan@wago.com

HPH Materials (M) Sdn Bhd
No. 4, Jalan Nilam 1/6
Subang Hi-Tech Industrial Park
40000 Shah Alam
Selangor, D.E. Malaysia
Phone +60 3 5638 2213
Fax +60 3 5638 8213
info@hphmaterials.com

Setia Raya Teknik Sdn. Bhd.
40 & 42 Jalan SS15/4
Subang Jaya, 47500 P.J.
Selangor D.E. Malaysia
Phone +60 3 5633 5511
Fax +60 3 5633 3411
sales@setiaraya.com.my

Mexico

WAGO CORPORATION
N120 W19129 Freistadt Road
Germantown, WI 53022
Phone +52 55 26 44 69 16
Fax +52 55 26 44 69 15
Toll-Free: 001-800-309-5975
info.mx@wago.com

Netherlands

WAGO Nederland
van Leeuwenhoekstraat 20-1
3846 CB Harderwijk
Phone +31 341 439039
Fax +31 341 439030
info-nl@wago.com

New Zealand

NHP NZ
7 Lockhart Place
Mt Wellington
New Zealand
Phone +64 9 2761967
Fax +64 9 2761992
export@wago.com

Norway

WAGO Norge NUF
Jerikoveien 20
1067 Oslo
Phone +47 22 30 94 50
Fax +47 22 30 94 51
info.no@wago.com

Peru

Desimat Peru
Av. E. Salazar Barreto No. 280
Surco - Lima 33
Phone +51 1 2731892
Fax +51 1 2720054
export@wago.com

Philippines

please contact WAGO Singapore

Poland

WAGO ELWAG sp. z o. o.
ul. Piękna 58 a
50-506 Wrocław
Phone +48 71 3604670 78
Fax +48 71 3604699
wago.elwag@wago.com

Portugal

MORGADO & CA. LDA - SEDE
Estrada Exterior da
Circunvalação 3558/3560
Apartado 1057
4435 Rio Tinto
Phone +351 22 9770600
Fax +351 22 9770699
export@wago.com

Romania

WAGO Kontakttechnik GmbH & Co. KG
WAGO Representative Office Bucharest
Str. Nicolae G. Caramfil Nr. 26, Bl. 1D, Et. 3, Ap. 7, Sect. 1
Bucuresti
Romania
Phone +40(0)31 421 85 68
Fax +40(0)21 232 02 31
titus.reus@wago.com

VDR & Servicii srl
Str. Valeriu Braniste, nr. 60, ap. 1, sector 3
Romania
Phone +40 21 3225074/76
Fax +40 21 3225075
office@componente-automatizari.ro

SC Civitronic SRL
Str. Prof. Gh. Longinescu Nr. 7
Timisoara, Romania
Phone +40 356 710 600
Fax +40 356 814 343
sales@civitronic.ro

Russia

OOO WAGO Kontakt Rus
Gostinichny proezd 4B
127106 Moscow
Russia
Phone +7 495 9874790
Fax +7 495 9874791
info.ru@wago.com

Saudi Arabia

Al Qurashi Electrical Services of S. A.
P.O. Box 7386
Dammam-31462
Phone +966 3 85 725 37
Fax +966 3 85 725 41
export@wago.com

Serbia

WAGO Kontakttechnik GmbH & Co. KG
Representative Office Sofia Bulgaria
1404 Sofia
Phone +359 2 489 46 10
Fax +359 2 859 21 31
info-BG@wago.com

AVALON Partners D.O.O.

Str. Nemanjina 4/XII
11000 Belgrade / Serbia
Phone +381 11 268 53 11
Fax +381 11 268 41 78
Tel/Fax: 65 AVALONP
office@avalon.co.yu

Singapore

WAGO Electronic Pte Ltd
10 Upper Aljunied Link, # 04-04
York International, Industrial Building
Singapore 367904
Phone +65 62866776
Fax +65 62842425
info.sing@wago.com

Slovakia

WAGO Elektrik spol.s r. o
Odborárska 52
83102 Bratislava
Phone +421 2 44458301
Fax +421 2 44458301
export@wago.com

South Africa

Shorrock Automation (Pty) Ltd
Postnet Suite # 219
Private Bag X 8, Elardus Park
0047 PRETORIA
Phone +27 12 3454449
Fax +27 12 3455145
sales@shorrock.co.za

Spain

DICOMAT S.L.
Avda. de la Industria, 36
Apartado Correos, 1.178
28108-Alcobendas (Madrid)
Phone +34 91 6621362
Fax +34 91 6610089
info@dicomat.com

Sweden

WAGO Sverige
WAGO Kontakttechnik GmbH
Tyskland Filial
Box 639, 17527 Järfälla
Datavägen 9 A, 17543 Järfälla
Phone +46 858410680
Fax +46 858410699
info.se@wago.com

Switzerland

WAGO CONTACT SA
Rte. de l'Industrie 19
Case Postale 168
1564 Domdidier
Phone +41/26 676 75 86
Fax +41/26 676 75 01
info.switzerland@wago.com

Syria

Zahabi Co.
8/5 Shouhadaa St., P.O. Box 8262
Aleppo
Phone +963 21 21 22 235 / 6
Fax +963 21 21 24 768
export@wago.com

Taiwan R.O.C.

WAGO Taiwan
8/F., No. 48, Jing-An Road
Chung-Ho City, 23556
Taipei Hsien, Taiwan
Phone +886 2 2244 2569
Fax +886 2 2244 2658
info.taiwan@wago.com

Thailand

WAGO Representative Office Thailand
4th Floor, KS Building
213/6-8 Rachada-Phisek Road
Dingdaeng Bangkok 10320
Phone +66 2 6935611
Fax +66 2 6935612
wago@asianet.co.th

US Power Distribution Co., Ltd.
4th Floor K.S. Building
213/6-8 Rachada Phisek Road
Ding Daeng, Bangkok 10400
Phone +66 2 2763040
Fax +66 2 2763049
wago@asianet.co.th

Turkey

WAGO Elektronik Sanayi ve Ticaret Ltd. Şti.
Barbaros Mahallesi Mimar Sinan Caddesi No 169
34746 Yenisehir - Kadiköy Istanbul
Turkey
Phone +90 216 472 1133
Fax +90 216 472 9910
info.tr@wago.com

United Arab Emirates (UAE)

Binghalib Engineering Ent.
Trading Division
Al Khabeshi Area
P.O. Box 14743
Dubai
Phone +971 4 2674555
Fax +971 4 2674117
export@wago.com

USA

WAGO Corporation
N120 W19129 Freistadt Road
Germantown, WI 53022
Phone +1 262 255 6222
Fax +1 262 255 3232
Toll-Free: 1-800 DIN Rail (346-7245)
info.us@wago.com

Venezuela

PETROBORNAS, C.A.
Av. Principal UD 304-Zona Ind. Los Pinos
C.C. Los Pinos-Local E
8015-Puerto Ordaz-Edo. Bolivar
Phone +58 286 994 3406
Fax +58 286 994 5249
info@petrobornas.net

Vietnam

please contact WAGO Singapore



WAGO Kontakttechnik GmbH & Co. KG
Postfach 28 80 · 32385 Minden
Hansastraße 27 · 32423 Minden
Germany
Phone ++49/5 71/8 87 - 0
Fax ++49/5 71/8 87 - 169
info@wago.com
www.wago.com

